

	MODEL	MBTU/HR HEAT OF REJECTION RATING 20° TD	FAN MOTORS	DIMENSIONS L X W X H	SHIP WEIGHT**
10 HP*					
CONDENSER (STANDARD)	PHS-VAC-11	114	2 EA 3/4 HP	62.25 X 48 X 42.75	340 LB
CONDENSER (HIGH AMBIENT)	PHS-VAC-13	150	2 EA 3/4 HP	62.25 X 48 X 42.75	355 LB
15 HP*					
CONDENSER (STANDARD)	PHS-VAC22	235	2 EA 1/2 HP	98.25 X 48 X 42.75	465 LB
CONDENSER (HIGH AMBIENT)	PHS-VAC-25	252	2 EA 1/2 HP	98.25 X 48 X 42.75	495 LB
20 HP*					
CONDENSER (STANDARD)	PHS-VAC22	235	2 EA 1 1/2 HP	98.25 X 48 X 42.75	465 LB
CONDENSER (HIGH AMBIENT)	PHS-VAC-25	252	2 EA 1 1/2 HP	98.25 X 48 X 42.75	495 LB
25 HP*					
CONDENSER (STANDARD)	PHS-VAC-31	304	2 EA 1 1/2 HP	98.25 X 48 X 42.75	550 LB
CONDENSER (HIGH AMBIENT)	PHS-VAC-35	357	2 EA 1 1/2 HP	98.25 X 48 X 42.75	600 LB
30 HP*					
CONDENSER (STANDARD)	PHS-VAC-35	357	2 EA 1 1/2 HP	98.25 X 48 X 42.75	600 LB
CONDENSER (HIGH AMBIENT)	PHS-VAC-42	409	3 EA 1 1/2 HP	146.25 X 48 X 42.75	800 LB
35 HP*					
CONDENSER (STANDARD)	PHS-VAC-48	458	3 EA 1 1/2 HP	146.25 X 48 X 42.75	900 LB
CONDENSER (HIGH AMBIENT)	PHS-VAC-55	508	3 EA 1 1/2 HP	146.25 X 48 X 42.75	1000 LB
40 HP*					
CONDENSER (STANDARD)	PHS-VAC-48	458	3 EA 1 1/2 HP	146.25 X 48 X 42.75	900 LB
CONDENSER (HIGH AMBIENT)	PHS-VAC-55	508	3 EA 1 1/2 HP	146.25 X 48 X 42.75	1000 LB

* SUGGESTED SIZINGS BASED ON CARLYLE COMPRESSORS OPERATING AT +25° EVAP TEMP AND 110° COND TEMP

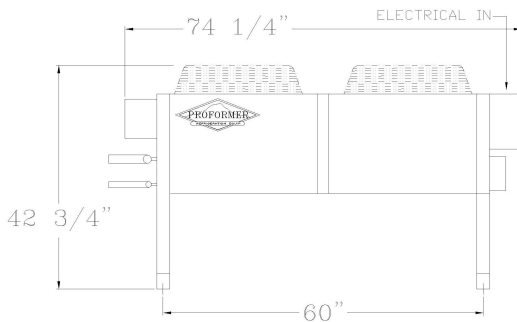
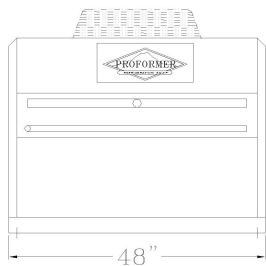
** ALL ORDERS OVER 700 LBS WILL SHIP FOB JOBSITE WITH IN CONTINENTAL UNITED STATES, LESS THAN 700 LB ORDERS WILL SHIP FOB FACTORY

ALL CONDENSERS ARE SUPPLIED STANDARD WITH:

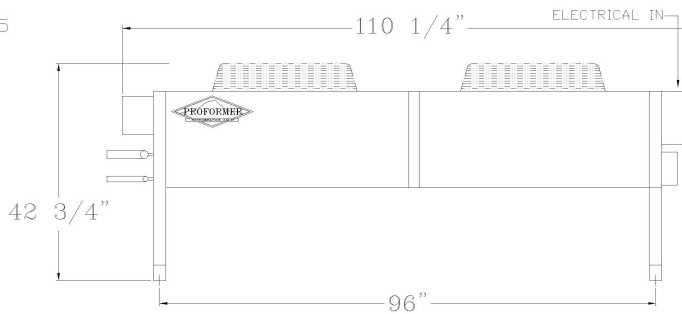
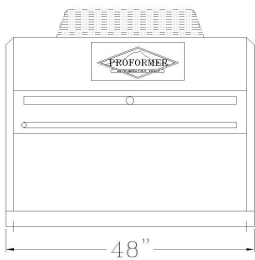
- FAN MOTOR CONTACTORS (1 EA PER FAN)
- PRESSURE FAN CYCLE CONTROLS (1 EA PER FAN)
- HORIZON CIRCUITING



PHSVAC 11 THRU 19



PHSVAC 22 THRU 35



PHSVAC 42 THRU 55

